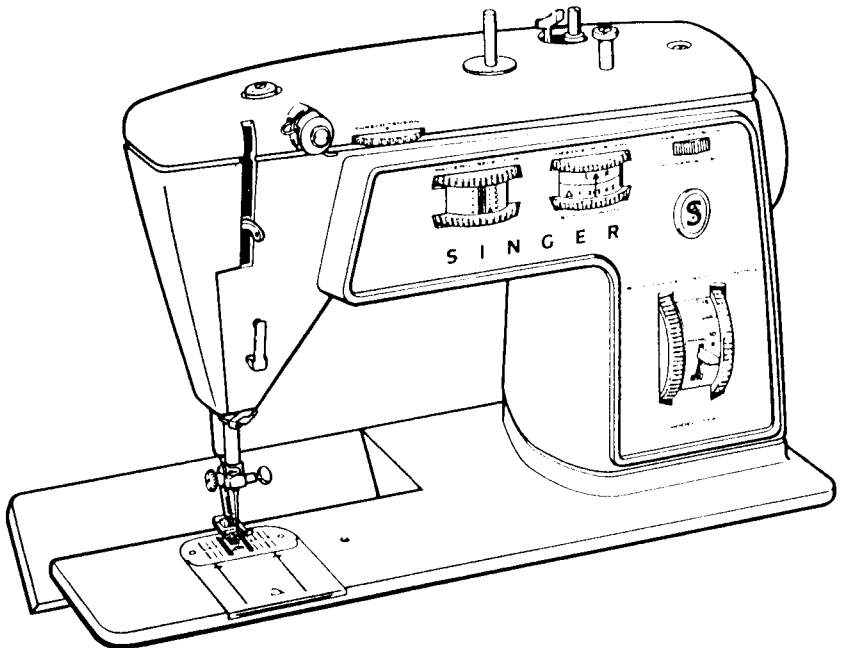
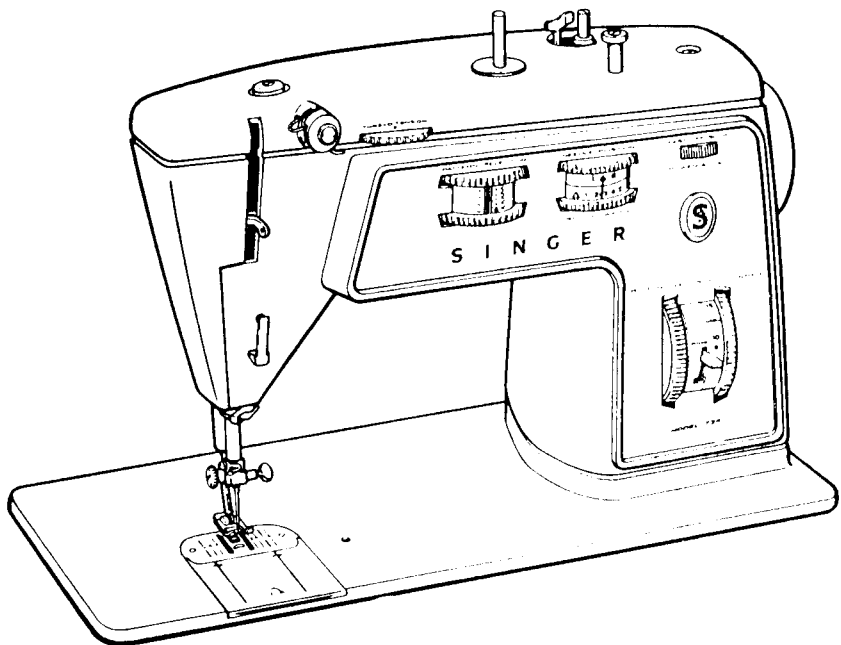


SINGER
734E/774E

List of Parts—Machines Nos. 734E/774E

173745-734/774



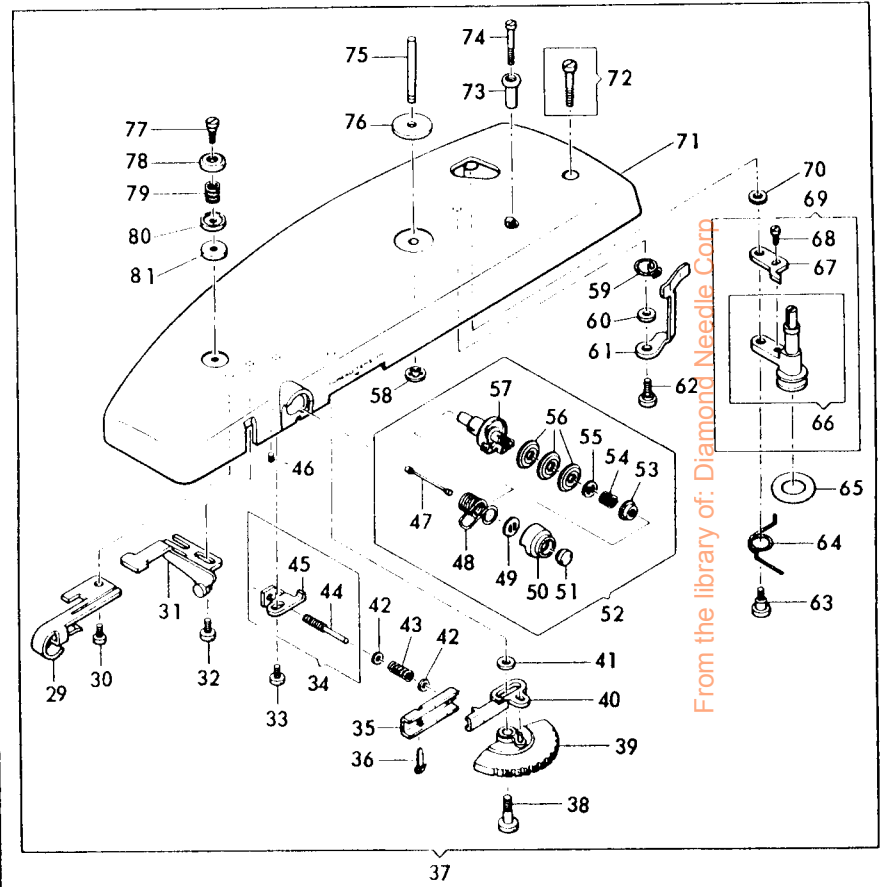
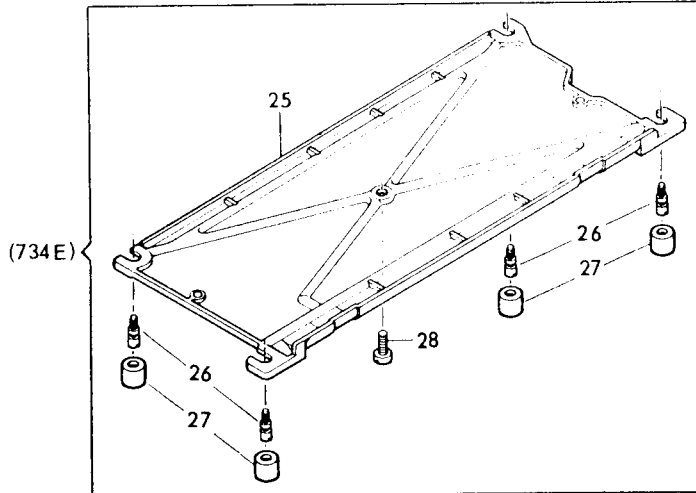
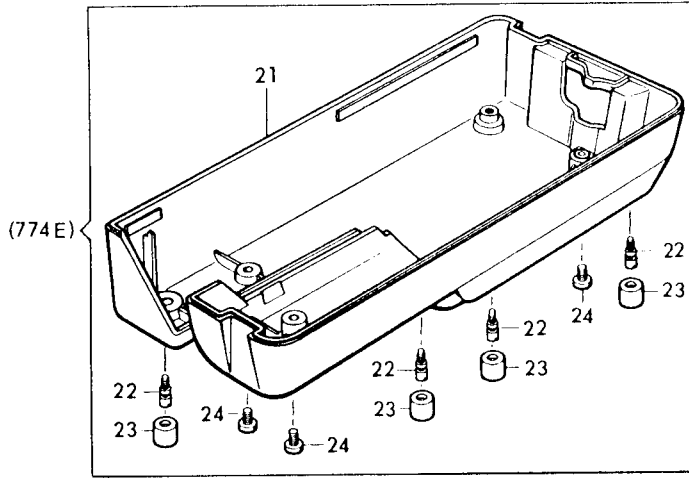
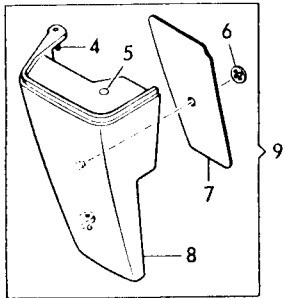
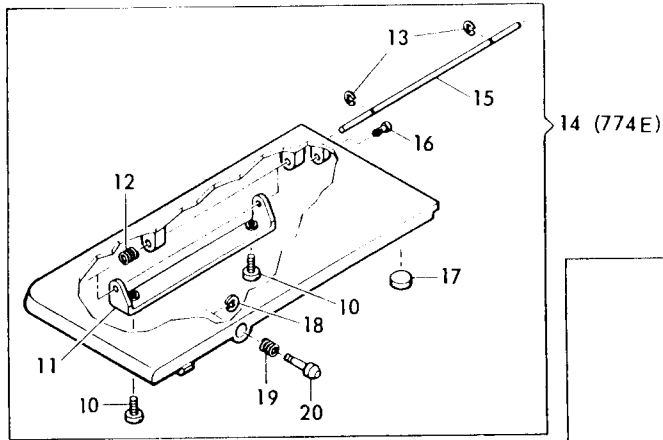
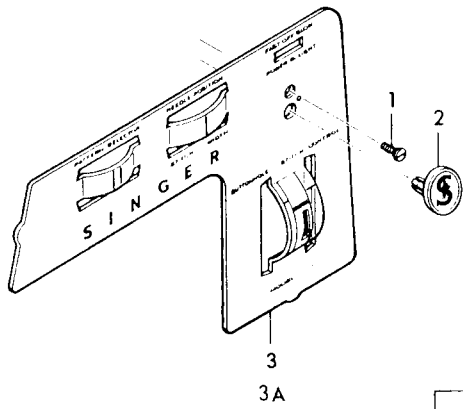
HISTORICAL COPY
DO NOT REMOVE
RETURN TO STATIONARY DEPARTMENT

ATTACHMENT SET 381223

- 103488 Needle Pack (plastic)
- 161917-001 Presser Foot Plate for Sewing Buttonholes
- 161919 Presser Foot Plate for Straight Sewing
- 161921 Presser Foot Plate for Overedge Stretch
Stitch Sewing
- 171110 Blind Stitch Guide
- 171137 Throat Plate for Straight Sewing
- 171138 Feed Cover Plate for Darning and Embroidery
- 171480 Presser Foot Plate for Cording and Slide
Fasteners
- 172336 Bobbin (plastic) (3)

From the library of Diamond Needle Corp

List of Parts—Machines Nos. 734E/774E (Covers)

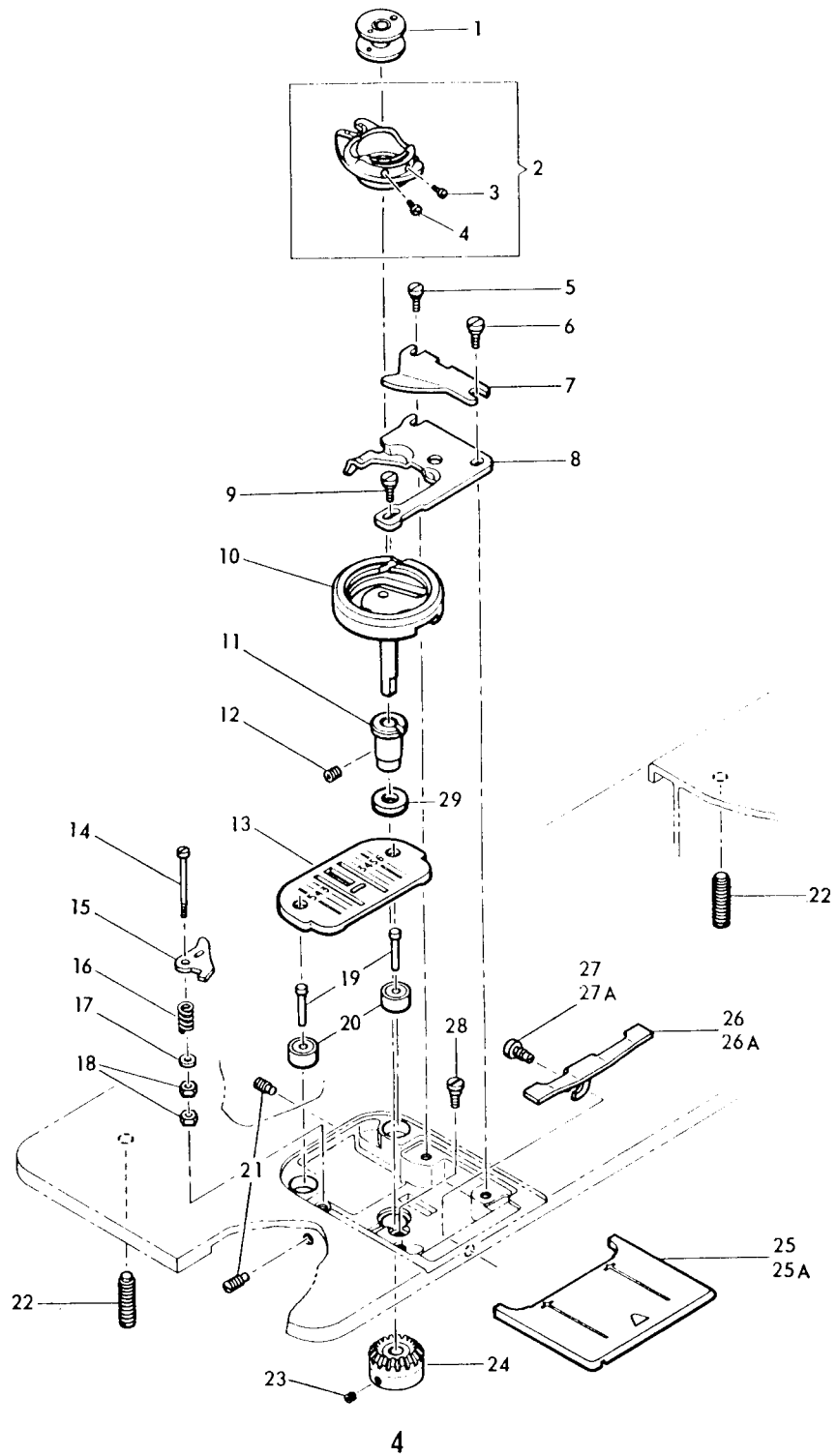


From the library of: Diamond Needle Corp

List of Parts-Machines Nos. 734E/774E (Covers)

REF. NO.	PART NO.	DESCRIPTION	REF. NO.	PART NO.	DESCRIPTION	REF. NO.	PART NO.	DESCRIPTION
1	141890-819	Control Panel Screw	28	139861-856	Bed Cover Plate (bottom)	52	172820-656	Tension complete, Nos. 172690, 174393-656, 174394, 174395-839, 174397, 174398, 174416, 174418, 174419 and three 174395
2	174445	Control Panel Insert	29	182198	Face Plate Catch	53	174419	Pre-Tension Spring Adjusting Nut
3	382701	Control Panel	30	141246-814	Face Plate Catch Screw	54	174418	Pre-Tension Spring
3A	382724	Control Panel	31	174406	Tension Releasing Lever	55	174398	Tension Disc Pressure Plate
4	170032	Face Plate Hinge Pin (2)	32	141877-814	Tension Releasing Lever Mounting Bracket Screw	56	174396	Tension Disc (3)
5	21440-814	Face Plate Catch Locking Pin	33	141879-803	Tension Spring Adjusting Screw Mounting Bracket Screw	57	172690	Tension Stud
6	172804	Threading Diagram Retainer	34	172867	Tension Spring Adjusting Screw Mounting Bracket 172866 with 139925-451	58	171163	Arm Top Cover Spool Pin Retaining Ring
7	174470-656	Threading Diagram	35	174404	Tension Regulating Slide Plate	59	163641	Bobbin Winder Stop Latch Spring
8	174177-656	Face Plate with 21440-814 and two 170032	36	172906	Tension Regulating Slide Plate Spring Clip	60	172556	Bobbin Winder Stop Latch Spring Spacer
9	174178-656	Face Plate with 21440-814, 172804, 174470-656 and two 170032	37	182215-451	Arm Top Cover complete, Nos. 8879-726, 15287-656, 45847, 129158, 139878-869, 139946-803, 141246-814, 141876-803, 141877-814, 141879-803, 141929-803, 141931-855, 141932-856, 163636, 163637, 163641, 163642, 171163, 172557, 172558, 172675, 172820-656, 172865, 172867, 172906, 172908, 172964, 174360-656, 174400-656, 174403, 174404, 174406, 182198 and two each 172556 and 172731	61	172964	Bobbin Winder Stop Latch
10	141860-814	Bed (convertible) Lid Hinge Bracket Screw (2)				62	139946-803	Bobbin Winder Stop Latch Hinge Screw
11	382740	Bed (convertible) Lid Hinge Bracket				63	141929-803	Bobbin Winder Frame Hinge Screw
12	381876	Bed (convertible) Lid Hinge Spring				64	163637	Bobbin Winder Frame Spring
13	507563	Bed (convertible) Lid Hinge Pin Retaining Ring (2)				65	15287-656	Bobbin Winder Friction Ring
14	382716-451	Bed (convertible) Lid Complete				66	163635	Bobbin Winder Frame with 32771 and 45836
15	382741	Bed (convertible) Lid Hinge Pin				67	163643	Bobbin Winder Tripping Arm
16	381878	Bed (convertible) Lid Positioning Button (plastic)				68	227-805	Bobbin Winder Tripping Arm Adjusting Screw
17	619491-001	Bed (convertible) Lid Pad	38	141876-803	Tension Indicator Dial Hinge Screw	69	163636	Bobbin Winder Frame 163635 with 227-805 and 163643
18	182195	Bed (convertible) Lid Latch Retaining Ring	39	174400-656	Tension Indicator Dial (plastic)	70	172556	Bobbin Winder Frame Spring Spacer
19	381877	Bed (convertible) Lid Latch Spring	40	174403	Tension Regulating Slide	71	174360-656	Arm Top Cover
20	381874-451	Bed (convertible) Lid Latch (plastic)	41	172675	Tension Indicator Dial Washer	72	141949-873	Arm Top Cover Screw
21	382721	Bed (convertible) Cover (bottom)	42	172731	Tension Spring Adjusting Screw Washer (2)	73	163642	Bobbin Winder Thread Post
22	354222-451	Bed (convertible) Cover (bottom) Cushion Screw (4)	43	172865	Tension Spring	74	141932-856	Bobbin Winder Thread Post Screw
23	381899	Bed (convertible) Cover (bottom) Cushion (rubber) (4)	44	139925-451	Tension Spring Adjusting Screw	75	172908	Arm Top Cover Spool Pin
24	354170-451	Bed (convertible) Cover (bottom) Fastening Screw (3)	45	172866	Tension Spring Adjusting Screw Mounting Bracket	76	8879-726	Arm Top Cover Spool Pin Washer (felt)
25	174421-656	Bed Cover Plate (bottom, plastic)	46	139878-869	Tension Stud Set Screw	77	141931-855	Bobbin Winder Tension Disc Cover Screw
26	141882-809	Bed Cover (bottom) Cushion Screw (4)	47	174397	Tension Disc Pressure Pin	78	172557	Bobbin Winder Tension Disc Cover
27	174124	Bed Cover (bottom) Cushion (rubber) (4)	48	174416	Thread Take-up Spring	79	45847	Bobbin Winder Tension Disc Spring
			49	174394	Tension Cap and Slack Thread Regulator Friction Washer	80	172558	Bobbin Winder Tension Disc Spacer
			50	174393-656	Tension Cap and Slack Thread Regulator (plastic)	81	129158	Bobbin Winder Tension Disc
			51	174395-839	Tension Cap and Slack Thread Regulator Nut			

List of Parts—Machines Nos. 734E/774E (Hook Area)



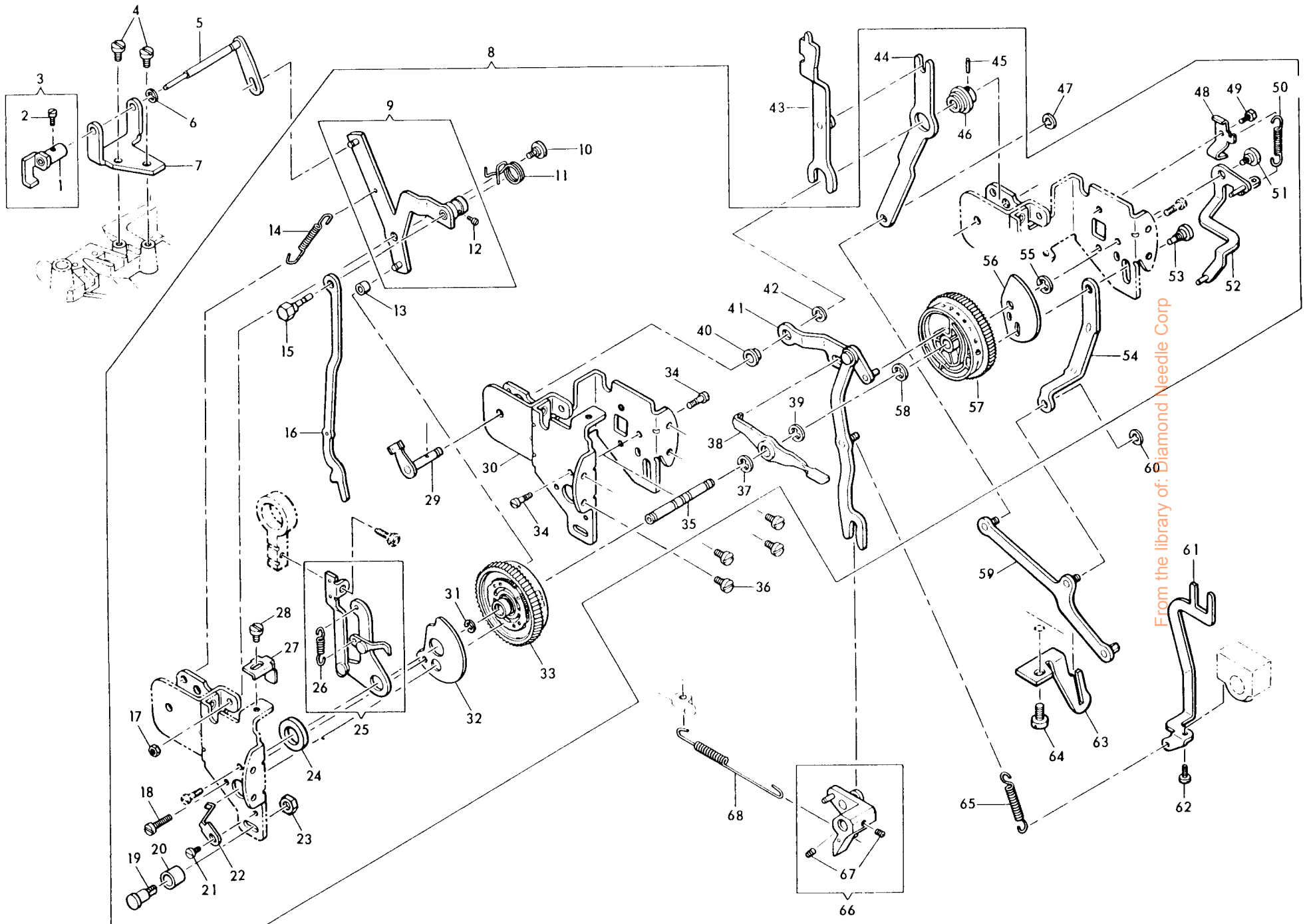
From the library of: Diamond Needle Corp

List of Parts-Machines Nos. 734E/774E (Hook Area)

REF. NO.	PART NO.	DESCRIPTION	REF. NO.	PART NO.	DESCRIPTION	REF. NO.	PART NO.	DESCRIPTION
1	172336	Rotating Hook Bobbin (plastic)	11	381727	Rotating Hook Flanged Bushing (eccentric)	23	141338-869	Rotating Hook Bevel Gear (plastic) Set Screw
2	310885	Rotating Hook Bobbin Case with 139975-803 and 354183-451	12	354103-451	Rotating Hook Flanged Bushing (eccentric) Set Screw	24	163329	Rotating Hook Bevel Gear (plastic) with 141338-869
3	139975-803	Rotating Hook Bobbin Case	13	174198	Throat Plate, for zig-zag sewing	25	172956	Bed Slide
4	354183-451	Tension Spring Segment Screw	14	381725	Rotating Hook Bobbin Case	25A	382710	Bed (convertible) Slide
5	354225-451	Rotating Hook Bobbin Case	15	381890	Retaining Plate Screw Stud	26	172957	Bed Slide Spring
6	354228-451	Tension Regulating Screw	16	319735	Rotating Hook Bobbin Case	26A	382713	Bed (convertible) Slide Spring
7	381903	Rotating Hook Bobbin Case	17	381728	Retaining Plate	27	141810-833	Bed Slide Spring Screw
8	44873	Retaining Plate (adjustable)	18	54595-451	Rotating Hook Bobbin Case	27A	354519-451	Bed (convertible) Slide Spring Screw
9	354161-451	Position Plate and Retaining Plate (adjustable) Adjusting Screw (back)	19	174256	Rotating Hook Bobbin Case	28	354162-451	Rotating Hook Flanged Bushing (eccentric) Position Adjusting Screw
10	163651	Rotating Hook Bobbin Case	20	507196	Retaining Plate Screw Stud Washer	29	382827	Rotating Hook Flanged Bushing (eccentric) Spacer
		Position Plate	21	141825-830	Throat Plate Catch Pin (2)			
		Adjusting Screw (front)	22	139950-830	Throat Plate Securing Magnet (2)			
		Rotating Hook Bobbin Case			Throat Plate Catch Pin Screw (2)			
		Retaining Plate (adjustable)			Machine Hinge Connection Set Screw (2) (734 only)			
		Position Plate						
		Rotating Hook Bobbin Case						
		Position Plate Screw						
		Rotating Hook						

From the library of: Diamond Needle Corp

List of Parts—Machines Nos. 734E/774E (Buttonhole Mechanism and Feed Control Mechanism)

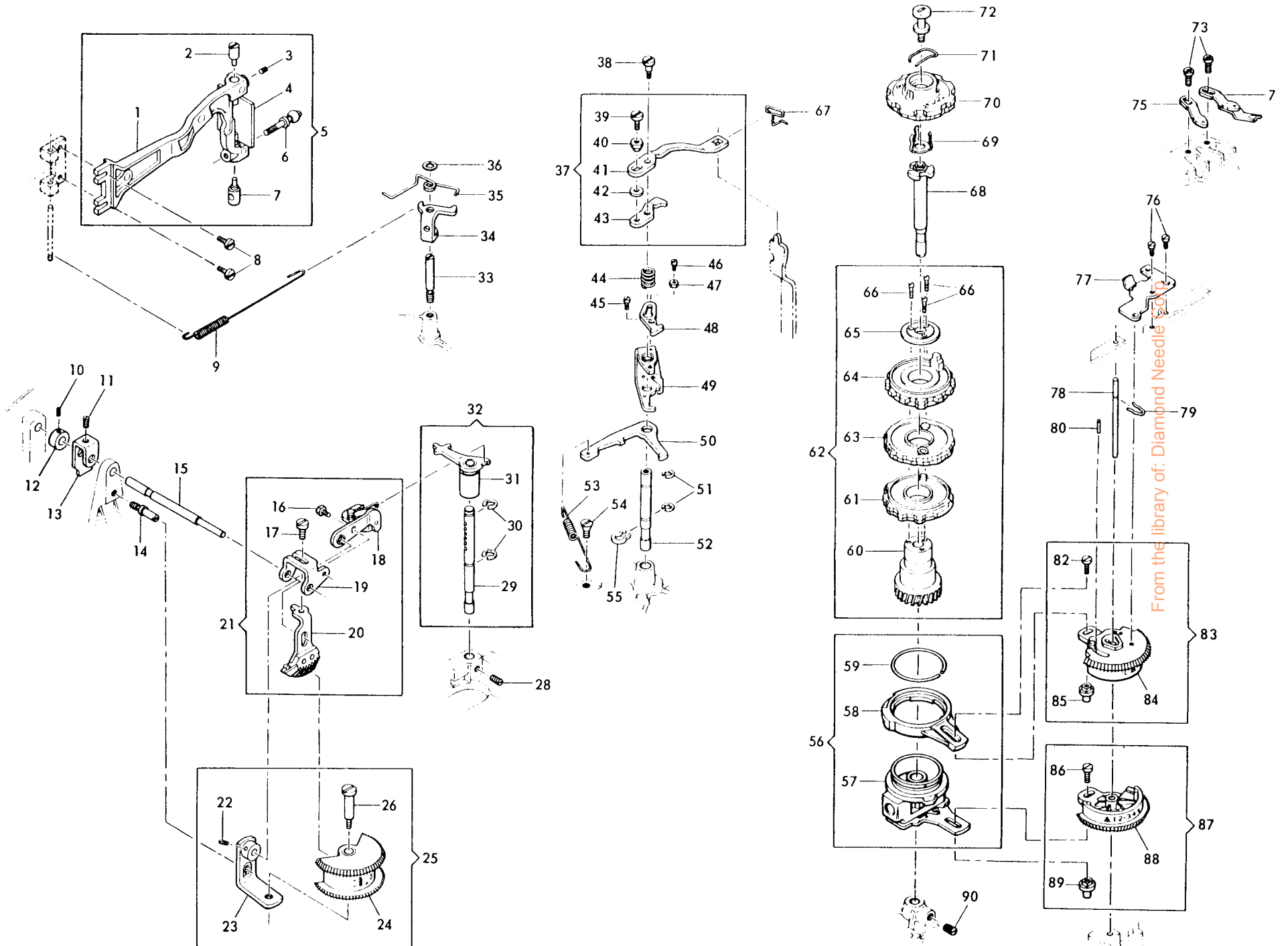


From the library of: Diamond Needle Corp

List of Parts-Machines Nos. 734E/774E (Buttonhole Mechanism and Feed Control Mechanism)

REF. NO.	PART NO.	DESCRIPTION	REF. NO.	PART NO.	DESCRIPTION	REF. NO.	PART NO.	DESCRIPTION
1	174262	Buttonholer Needle Position Controller	21	141697-814	Buttonholer Ratchet Cam Positioning Spring Screw	47	172942	Feed Driving Arm (lower) Retaining Ring
2	141888-814	Buttonholer Needle Position Controller Shaft Clamping Screw	22	174293	Buttonholer Ratchet Cam Positioning Spring	48	174331	Feed Control Dial Friction Spring
3	174263	Buttonholer Needle Position Controller 174262 with 141888-814	23	53642-814	Arm Shaft and Rotating Hook Belt Pulley Idler Stud Nut	49	141858-814	Feed Control Dial Friction Spring Screw
4	141856-814	Buttonholer Needle Position Controller Shaft Bracket Screw (2)	24	174261	Buttonholer Dial Washer	50	172771	Buttonholer Engaging Lever Tension Spring
5	174267	Buttonholer Needle Position Controller Shaft	25	174308	Buttonholer Ratchet Cam Pawl Driving Lever with 174270	51	141958-803	Buttonholer Engaging Lever Hinge Screw
6	151576	Buttonholer Needle Position Controller Shaft Retaining Ring	26	174270	Buttonholer Ratchet Cam Pawl Tension Spring	52	172768	Buttonholer Engaging Lever
7	172990	Buttonholer Needle Position Controller Shaft Bracket	27	174260	Buttonholer Dial Friction Spring	53	139959-452	Feed Cam Follower (manual) Hinge Screw Stud
8	172863-451	Buttonholer Dial and Feed Control Dial Mounting Bracket complete	28	141864-814	Buttonholer Dial Friction Spring Screw	54	172980	Feed Cam Follower (manual) Lever
9	174436	Buttonholer Needle Position and Feed Control Lever with 354116-452	29	174495	Feed Driving Arm Connection Shaft with Spring	55	174478	Feed Control Dial Retaining Ring (right)
10	141980-803	Buttonholer Needle Position and Feed Control Lever Hinge Screw	30	174432-001	Buttonholer Dial and Feed Control Dial Mounting Bracket	56	174486-656	Feed Control Dial Shield (plastic)
11	172943	Buttonholer Zero Stitch Adjusting Lever Return Spring	31	32376	Buttonholer Dial Retaining Ring	57	174484-656	Feed Control Dial
12	354116-452	Buttonholer Needle Position and Feed Control Lever Hub Set Screw	32	174434-656	Buttonholer Dial Shield (plastic)	58	163562	Feed Control Dial Retaining Ring (left)
13	174271	Buttonholer Ratchet Cam Roller	33	174430-656	Buttonholer Dial (plastic)	59	174493	Feed Driving Arm Connection
14	174437	Buttonholer Needle Position and Feed Control Lever Tension Spring	34	141849-803	Buttonholer Dial and Feed Control Dial Shaft Screw (2)	60	172942	Feed Cam Follower (manual) Lever Hinge Stud Retaining Ring
15	174272	Buttonholer Zero Stitch Adjusting Lever Eccentric Stud	35	174321	Buttonholer Dial and Feed Control Dial Shaft	61	172807	Feed Regulator Shaft Positioning Bracket Controlling Lever Spring and Wire Retaining Bracket Hook
16	174290	Buttonholer Zero Stitch Adjusting Lever	36	141856-814	Buttonhole Dial and Feed Control Dial Mounting Bracket Screw (4)	62	141353-814	Feed Regulator Shaft Positioning Bracket Controlling Lever Spring and Wire Retaining Bracket Hook Screw
17	53654-814	Buttonholer Needle Position and Feed Control Lever Hinge Screw Nut	37	174478	Reverse Feed Lever Retaining Ring (left)	63	174376	Feed Driving Arm Connection Guide
18	141669-803	Buttonholer Dial Shield Position Screw	38	172599-001	Reverse Feed Lever	64	141860-814	Feed Driving Arm Connection Guide Screw
19	174369	Arm Shaft and Rotating Hook Belt Pulley Idler Stud	39	163562	Reverse Feed Lever Retaining Ring (right)	65	174380	Feed Regulator Shaft Positioning Bracket Controlling Lever Spring
20	174383	Arm Shaft and Rotating Hook Belt Pulley Idler Stud Roller	40	172684	Feed Driving Arm Connection Shaft Spacer	66	381670	Feed Regulator Shaft Positioning Bracket with two screws 141772-869
			41	172860	Feed Control Dial Lever	67	141772-869	Feed Regulator Shaft Positioning Bracket Set Screw (2)
			42	151527	Feed Driving Arm Connection Shaft Retaining Ring	68	172572	Feed Regulator Shaft Positioning Bracket Spring
			43	174374	Feed Driving Arm (upper)			
			44	174334	Feed Driving Arm (lower)			
			45	172800	Feed Driving Arm Connection Shaft Collar Pin			
			46	172714	Feed Driving Arm Connection Shaft Collar			

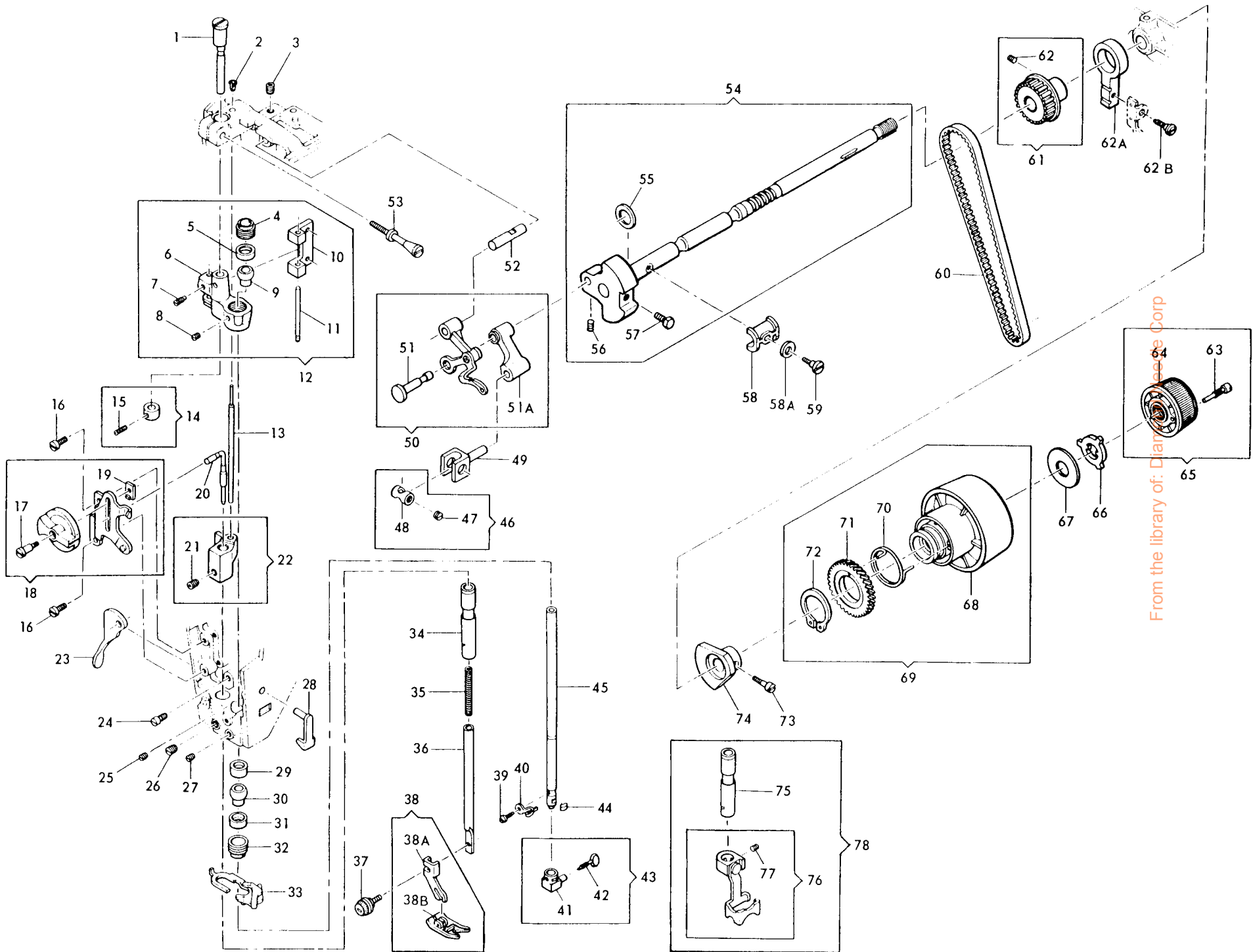
List of Parts—Machines Nos. 734E /774E (Cam Stack and Followers)



List of Parts--Machines Nos. 734E/774E (Cam Stack and Followers)

REF. NO.	PART NO.	DESCRIPTION	REF. NO.	PART NO.	DESCRIPTION	REF. NO.	PART NO.	DESCRIPTION
1	172573	Needle Bar Driving Arm	32	382325	Disc Selector Arm Bracket	61	181542	Disc Stack (lower section, plastic)
2	172949	Needle Bar Driving Arm Plate Pin (upper, eccentric)			Follower Index Pin 174351 with 382323 and 163221 (2)	62	381578	Disc Driving Worm Wheel 381577 with 172668, 181541, 181542, 181543, 141841-451 (3)
3	141898-830	Needle Bar Driving Arm Plate Pin (upper, eccentric) Set Screw	33	141842-803	Needle Bar Driving Arm Plate Tension Arm Screw Stud	63	181541	Disc Stack (center section, plastic)
4	163565	Needle Bar Driving Arm Plate (plastic)	34	172056	Needle Bar Driving Arm Plate Tension Arm	64	181543	Disc Stack (upper section, plastic)
5	172574	Needle Bar Driving Arm 172573 with 141898-830, 163565, 163567, 172575 and 172949	35	172900	Needle Bar Driving Arm Auxiliary Spring	65	172668	Disc Stack Clamping Plate
6	172575	Needle Bar Driving Arm Ball Pivot	36	172948	Needle Bar Driving Arm Auxiliary Spring Retaining Ring	66	141841-451	Disc Stack Clamping Plate Screw (3)
7	163567	Needle Bar Driving Arm Plate Pin (lower, plastic)	37	174324	Cam Controlled Feed Lever 174323 with 141850-805, 174325, 174326 and 174370	67	172877	Cam Controlled Feed Lever Retaining Spring
8	139887-803	Needle Bar Driving Arm Hinge Bracket Screw (2)	38	141953-803	Cam Controlled Feed Lever Follower Mounting Screw	68	381550	Bight Amplitude Selector and Worm Wheel Shaft
9	172905	Needle Bar Driving Arm Tension Spring	39	141850-805	Cam Controlled Feed Lever Eccentric Screw	69	172020	Disc Retaining Spring
10	141739-869	Needle Bar Driving Arm Plate Kick-out Follower Stop Collar Screw	40	174325	Cam Controlled Feed Lever Eccentric	70	381238	Disc (double) for Overedge Stretch Stitch Shaft 381549-900 with molded plastic flange
11	141899-830	Needle Bar Driving Arm Plate Kick-out Follower Lever Set Screw	41	174323	Cam Controlled Feed Lever	71	172996	Disc Retainer
12	172667	Needle Bar Driving Arm Plate Kick-out Follower Stop Collar with 141739-869	42	174370	Cam Controlled Feed Lever Spacer	72	174348	Bight Amplitude Selector and Worm Wheel Shaft Screw Stud
13	174305	Needle Bar Driving Arm Plate Kick-out Follower Lever with 141899-830	43	174326	Cam Controlled Feed Lever Follower	73	141353-814	Bight Amplitude Selector Stop Plate Screw (2)
14	172960	Disc Selector Dial Bracket Guide Screw Stud	44	172826	Needle Position Cam Follower Return Spring	74	172854	Bight Amplitude Selector Stop Plate (right)
15	174303	Disc Selector Arm Shaft	45	141888-814	Needle Position Cam Follower Screw	75	174299	Bight Amplitude Selector Stop Plate (left)
16	141892-814	Disc Selector Arm Extension Screw	46	139927-451	Needle Position Cam Follower Adjusting Eccentric Screw	76	141903-814	Needle Position Control Dial Positioning Spring Screw (2)
17	141945-814	Disc Selector Arm Screw	47	172870	Needle Position Cam Follower Adjusting Eccentric	77	172590	Needle Position Control Dial Positioning Spring
18	172748	Disc Selector Arm Bracket with Kick-out Spring and Extension	48	174358	Needle Position Cam Follower	78	172830	Bight Amplitude and Needle Position Control Dials Shaft
19	172659	Disc Selector Arm	49	174306	Needle Position Cam Follower Bracket	79	172828	Bight Amplitude and Needle Position Control Dials Shaft Retaining Clip
20	172665	Disc Selector Arm Gear Bracket	50	174304	Needle Bar Driving Arm Plate Kick-out Follower	80	172591	Needle Position Control Dial Stop Pin
21	172660	Disc Selector Arm 172659 with 141892-814, 141945-814, 172665 and 172748	51	163562	Needle Position Cam Follower Retaining Rings (2)	82	139906-856	Needle Position Control Dial Adjusting Stud Screw
22	141739-869	Disc Selector Dial Bracket Screw	52	174349	Cam Controlled Feed Lever and Needle Position Cam Follower Mounting Stud	83	172848-656	Needle Position Control Dial 172846-656 with 139906-656 and 172827
23	174467	Disc Selector Dial Bracket with 141739-869	53	172816	Needle Bar Driving Arm Plate Kick-out Follower Return Spring	84	172846-656	Needle Position Control Dial Adjusting Stud
24	382302-001	Disc Selector Dial	54	139883	Needle Bar Driving Arm Plate Kick-out Follower Return Spring Screw	85	172827	Needle Position Control Dial Adjusting Stud
25	382303-001	Disc Selector Dial 382302-001 with 141895-451 and 174467	55	172825	Needle Bar Driving Arm Plate Kick-out Follower Retaining Ring (lower)	86	139906-856	Bight Amplitude Control Dial Adjusting Stud Screw
26	141895-451	Disc Selector Dial Hinge Screw	56	172855	Bight Amplitude Selector and Needle Position Cam 172851 with 174428 and 174429	87	172842-656	Bight Amplitude Control Dial 172841-656 with 139906-856 and 172827
28	141891-830	Disc Selector Arm Bracket Follower Index Pin Set Screw	57	172851	Bight Amplitude Selector	88	172841-656	Bight Amplitude Control Dial
29	174351	Disc Selector Arm Bracket Follower Index Pin	58	174428	Needle Position Cam (plastic)	89	172827	Bight Amplitude Control Dial Adjusting Stud
30	163221	Disc Selector Arm Bracket Follower Index Pin Retaining Ring (2)	59	174429	Needle Position Cam Retaining Ring	90	141886-830	Cam Controlled Feed Lever and Needle Position Cam Follower Mounting Stud Set Screw
31	382323	Disc Selector Arm Bracket Follower	60	381577	Disc Driving Worm Wheel (plastic)			

List of Parts—Machines Nos. 734E/774E (Arm Shaft and Head End)

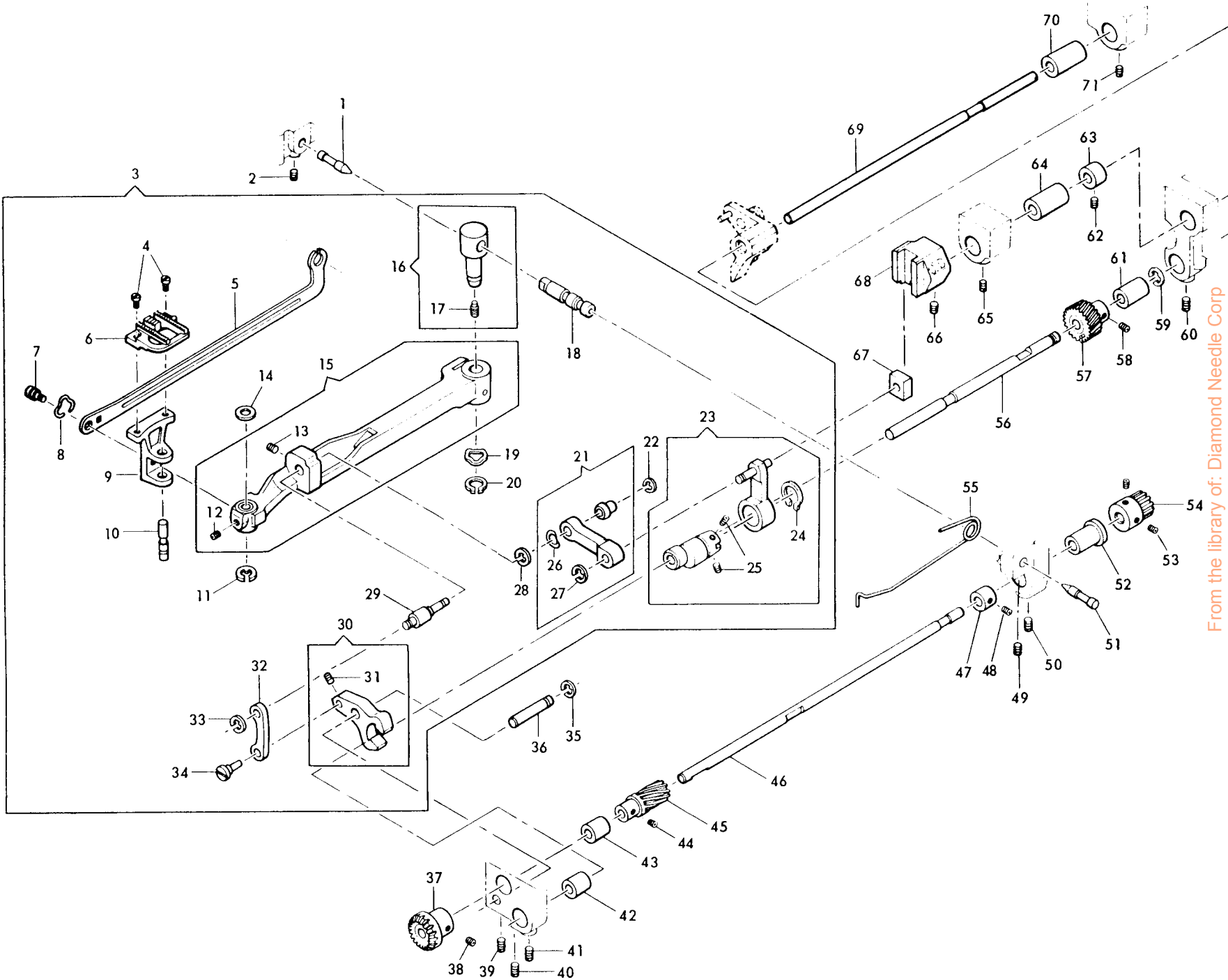


From the library of: Diamond Tool Corp

List of Parts-Machines Nos. 734E/774E (Arm Shaft and Head End)

REF. NO.	PART NO.	DESCRIPTION	REF. NO.	PART NO.	DESCRIPTION	REF. NO.	PART NO.	DESCRIPTION
1	172585	Needle Bar Vibrating Bracket	26	141904-830	Presser Bar Bushing Set Screw	54	381567-001	Arm Shaft (horizontal) with 139999-451, 140997-30 and 163990
2	172793	Hinge Pin (eccentric)	27	141897-830	Needle Bar Ball Bushing (lower)	55	163990	Adjusting Screw Set Screw (in machine head)
3	141907-830	Tension Releasing Pin Retaining Clip	28	172839-002	Thread Guide (upper)	56	140992-830	Needle Bar Crank Washer (plastic)
4	172220	Thread Take-up Lever Link Hinge Stud Set Screw	29	172037	Needle Bar Ball Bushing (lower)	57	139999-451	Thread Take-up Stud Set Screw
5	172036	Needle Bar Ball Bushing (upper)	30	163804	Socket (upper) (in machine head)	58	382742	Needle Bar Crank Position Screw
6	163833	Adjusting Screw	31	172036	Needle Bar Ball Bushing (lower) (in machine head)	58 A	382744	Arm Shaft (horizontal) Retaining Collar (plastic)
7	998-830	Needle Bar Vibrating Bracket	32	172220	Socket (lower) (in machine head)	59	354527-451	Arm Shaft (horizontal) Retaining Collar Clamping Washer eccentric
8	50311-830	Needle Bar Driving Arm Hinge Bracket Hinge Pin Set Screw	33	163117-002	Needle Bar Ball Bushing (lower)	60	174283	Arm Shaft (horizontal) Retaining Collar Screw
9	163804	Adjusting Screw Set Screw	34	172059-002	Thread Guide (lower) with 141215-805	61	174285	Belt
10	172577	Needle Bar Ball Bushing (upper)	35	172879	Presser Bar Bushing	62	141834-869	Arm Shaft (horizontal) Belt Pulley with 141834-869
11	172676	Needle Bar Driving Arm Hinge Bracket Hinge Pin	36	172068	Presser Bar Spring	62 A	174381	Arm Shaft (horizontal) Belt Pulley Set Screw
12	172584	Needle Bar Vibrating Bracket	37	354135-452	Presser Bar (hollow)	62 B	139949-453	Buttonholer Driving Link Extension
13	174409	163833 with 998-830, 50311-830, 163804, 172036, 172220, 172577, 172676 and two 139887-803	38	163839	Presser Foot Thumb Screw	63	354154-451	Buttonholer Driving Link Screw
14	172586	Tension Releasing Pin	38 A	163706	Presser Foot for zig-zag stitching	64	381705-451	Clamp Stop Motion Clamp Stop Screw
15	141902-869	Needle Bar Vibrating Bracket Hinge Pin Collar with 141902-869	38 B	163710	Presser Foot Shank (snap-on)	65	381710-451	Clamp Stop Motion Clamp Nut (plastic)
16	141854-809	Needle Bar Vibrating Bracket Hinge Pin Collar Set Screw	39	141453-880	Presser Foot Plate (snap-on) for Zig-Zag Sewing	66	163905	Clamp Stop Motion Clamp Nut 381705-451 with 354154-451
17	141944-809	Presser Bar Pressure Regulating Knob Bracket Screw (2)	40	163431	Needle Clamp Body, Needle Clamp Thread Guide and Needle Stop Screw	67	381615	Clamp Stop Motion Clamp Washer
18	172683-656	Presser Bar Pressure Regulating Knob Adjusting Screw	41	163122	Needle Clamp Thread Guide	68	382735-451	Hand Wheel (plastic)
19	53650-451	Presser Bar Pressure Regulating Knob with 53650-809 and 141944-809	42	140751-853	Needle Clamp Body	69	382736-451	Hand Wheel 382735-451 with 170021, 172299-003 and 172312
20	172878	Presser Bar Pressure Regulating Knob Adjusting Screw Nut	43	163123	Needle Thumb Screw	70	172299-003	Hand Wheel Gear Spring
21	141800-869	Presser Bar Pressure Regulating Knob Adjusting Screw	44	163822	Needle Clamp 163122 with 140751-853	71	172312	Hand Wheel Gear
22	172594	Presser Bar Pressure Regulating Knob Adjusting Screw Nut	45	172033	Needle Bar 163822 with 140751-853	72	170021	Hand Wheel Snap Ring
23	172989	Presser Bar Pressure Regulating Knob Adjusting Screw	46	172044	Needle Bar Connecting Stud	73	140559-803	Arm Shaft (horizontal) Counter-balance Screw
24	139963-451	Presser Bar Pressure Regulating Knob Adjusting Screw	47	1266-830	Needle Bar Connecting Stud Hinge Pin	74	174136	Arm Shaft (horizontal) Counter-balance
25	139880-830	Presser Bar Pressure Regulating Knob Adjusting Screw	48	172043	Needle Bar Connecting Stud Hinge Pin	75	172069-002	Presser Bar Bushing
			49	172323	Needle Bar Connecting Stud Hinge Pin	76	381205	Finger Guard Complete
			50	172833	Thread Take-up Lever with 172941	77	354204-451	Finger Guard Holder Set Screw
			51	172941	Thread Take-up Stud			
			51 A	507650	Needle Bar Connecting Link			
			52	172608	Thread Take-up Lever Link Hinge Stud			
			53	182086	Arm Top Cover Locking Screw Stud and Needle Bar Vibrating Bracket Hinge Pin (eccentric) Clamping Screw			
						78	381208	Finger Guard Kit for Slant Needle Machines

List of Parts—Machines Nos. 734E/774E (Alpha Feed)



From the library of: Diamond Needle Corp

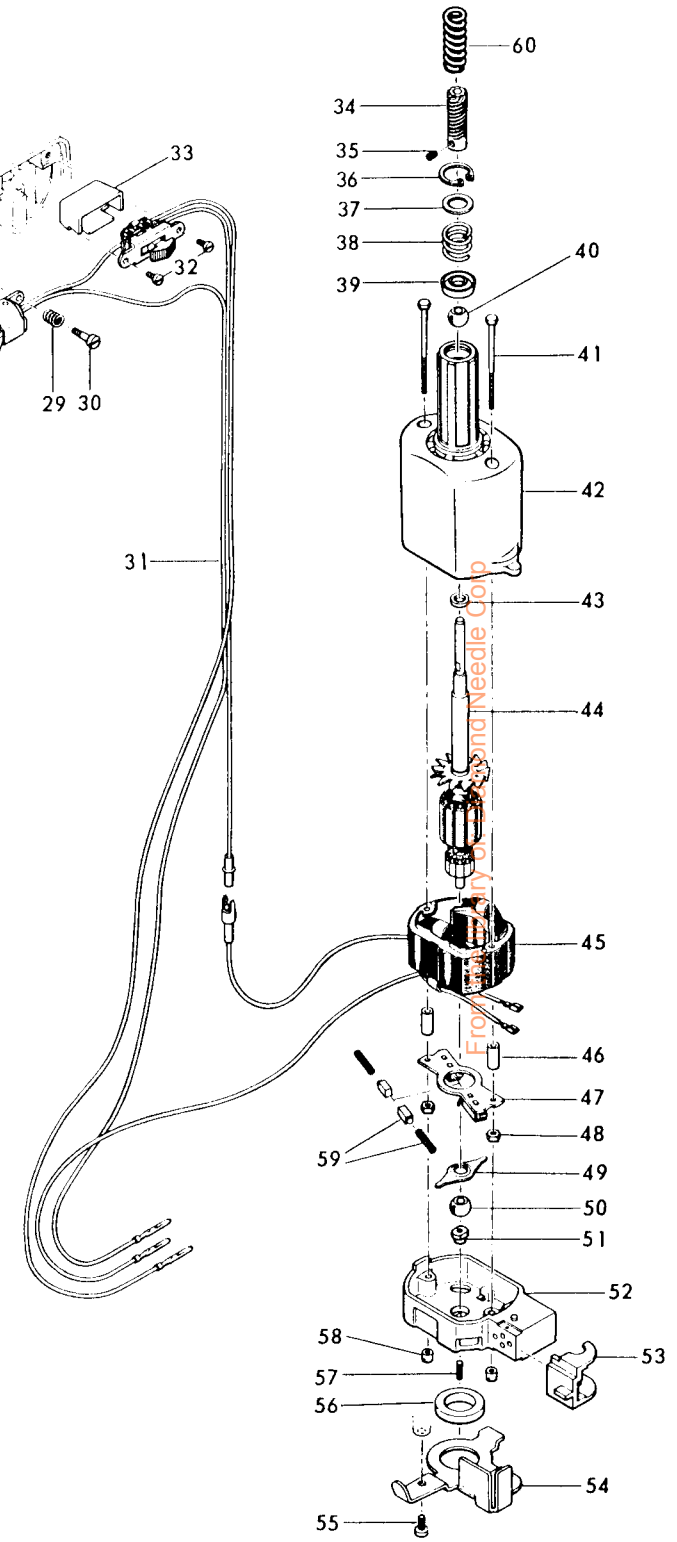
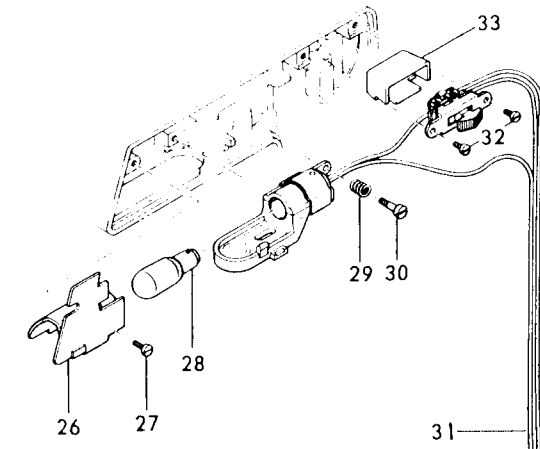
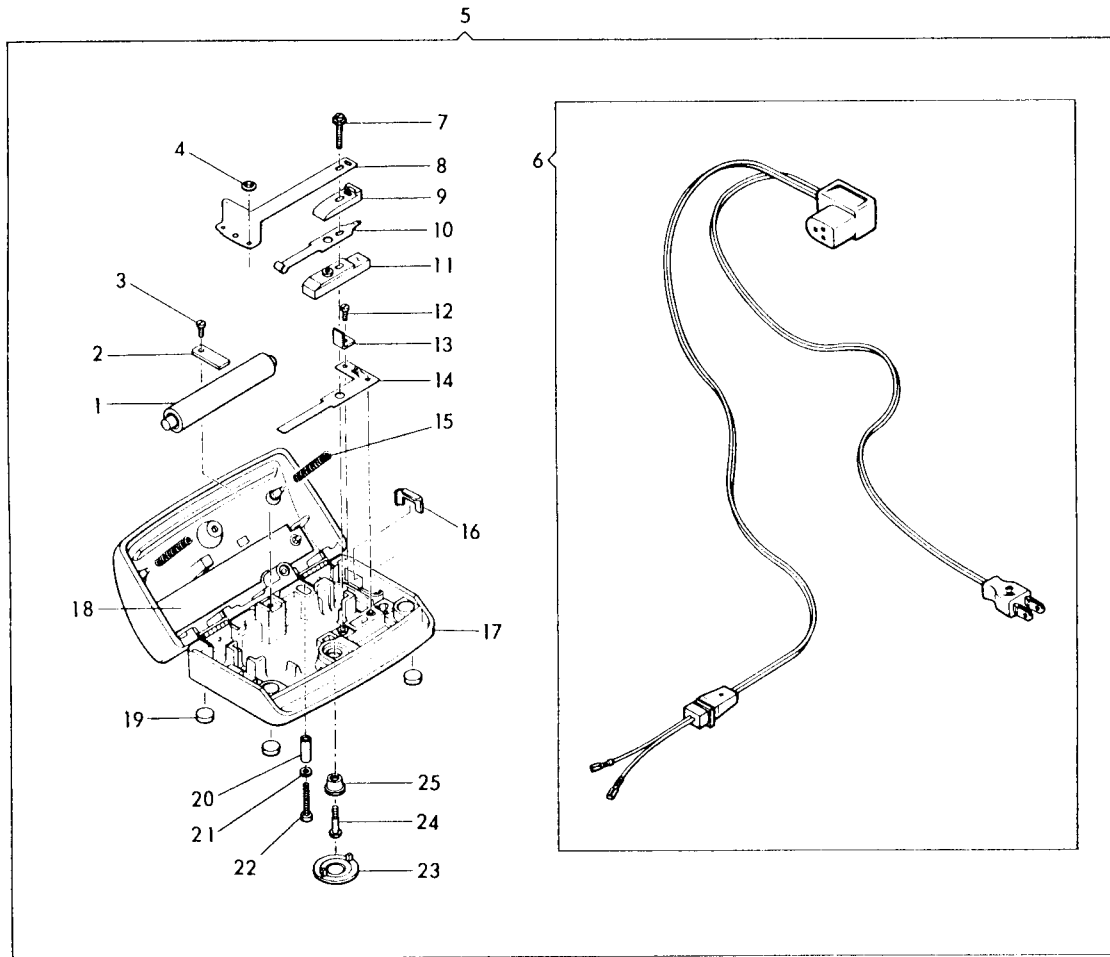
List of Parts-Machines Nos. 734E/774E (Alpha Feed)

REF. NO.	PART NO.	DESCRIPTION	REF. NO.	PART NO.	DESCRIPTION	REF. NO.	PART NO.	DESCRIPTION
1	172801	Feed Bar Pivot Hinge Stud Adjusting Pin (eccentric) Center (back)	23	172880-001	Feed Regulator Slide Block Drive Connection with 174277 and 141802-869 (Apollo Hook System) (2)	47	174235	Rotating Hook Drive Shaft Collar with 141802-869
2	141814-830	Feed Bar Pivot Hinge Stud Adjusting Pin (eccentric) Center (back) Set Screw	24	174277	Feed Regulator Slide Block Drive Connection Retaining Ring	48	141802-869	Rotating Hook Drive Shaft Collar Set Screw
3	181518-001	(Apollo Hook System) Feed Bar with 139878-869, 141801-830, 141802-869, 141812-830, 141821-803, 151576, 172876, 172947, 174215-001, 174216, 174217, 174220, 174247, 174249, 174251, 174277, 181512, 511016, 511075, 511211 and two each 140321-803, 141896-830, 151527, 163562	25	141802-869	Feed Lifting Cam and Feed (eccentric) Set Screw (Apollo Hook System)	49	141814-830	Feed Bar Pivot Hinge Stud Adjusting Pin (eccentric) Center (front) Set Screw
4	141896-830	Feed Dog Screw (?)	26	172947	Feed Bar Connection and Feed Lifting Fork Connection Hinge Stud (eccentric) Spring Washer	50	141891-830	Rotating Hook Drive Shaft Bushing (right) Set Screw
5	174216	Feed Dog Holder Compensating Link	27	151576	Feed Bar Connection Retaining Ring	51	172801	Feed Bar Pivot Hinge Stud Adjusting Pin (eccentric) Center (front)
6	181512	Feed Dog	28	163562	Feed Bar Connection Retaining Ring	52	174233	Rotating Hook Drive Shaft Bushing (right)
7	511075	Feed Dog Holder Compensating Link Retaining Spring	29	174247	Feed Bar Connection and Feed Lifting Fork Connection Hinge Stud (eccentric)	53	141338-869	Rotating Hook Drive Shaft Belt Pulley Set Screw (?)
8	141827-803	Feed Dog Holder Compensating Link Screw Stud	30	174276	Feed Lifting Fork with 141802-869	54	174282-001	Rotating Hook Drive Shaft Belt Pulley with two 141338-869
9	174215-001	Feed Dog Holder (Apollo Hook System)	31	141802-869	Feed Lifting Fork Connection Hinge Stud (eccentric) Set screw	55	511352	Feed Bar Spring
10	174217	Feed Dog Holder Stud	32	511016	Feed Lifting Fork Connection Retaining Ring	56	174218	Feed Drive Shaft
11	163562	Feed Lifting Fork Hinge Stud Retaining Ring	33	163562	Feed Lifting Fork Connection Retaining Ring	57	174491	Feed Drive Shaft Gear (helical, plastic) with 141772-869
12	139878-869	Feed Dog Holder Stud Screw	34	174220	Feed Lifting Fork Connection Hinge Stud (eccentric)	58	141772-869	Feed Drive Shaft Gear (helical, plastic) Set Screw
13	141812-830	Feed Bar Connection and Feed Lifting Fork Connection Hinge Stud (eccentric) Set Screw	35	163562	Feed Lifting Fork Hinge Stud Retaining Ring	59	163562	Reverse Feed Dial Retaining Ring (right)
14	174251	Feed Dog Holder Washer	36	174221	Feed Lifting Fork Hinge Stud	60	141815-830	Feed Drive Shaft Bushing (right) Set Screw
15	174243	Feed Bar with 139878-869 and 141812-830	37	163331	Rotating Hook Drive Shaft Bevel Gear (plastic) with 141338-869	61	174241	Feed Drive Shaft Bushing (right)
16	174214	Feed Bar Pivot Hinge Stud with 141801-830	38	141338-869	Rotating Hook Drive Shaft Bevel Gear (plastic) Set Screw	62	141772-869	Feed Regulator Shaft Collar Set Screw
17	141801-830	Feed Bar Pivot Hinge Stud Lock Screw	39	141814-830	Feed Lifting Fork Hinge Stud Set Screw	63	174225	Feed Regulator Shaft Collar with 141772-869
18	174249	Feed Bar Pivot Hinge Stud Adjusting Pin (eccentric)	40	139878-869	Rotating Hook Drive Shaft Bushing (left) Set Screw	64	174223	Feed Regulator Shaft Bushing (left)
19	511211	Feed Bar Pivot Hinge Stud Spring Washer	41	141814-830	Feed Drive Shaft Bushing (left) Set Screw	65	141814-830	Feed Regulator Shaft Bushing (left) Set Screw
20	172876	Feed Bar Pivot Hinge Stud Retaining Ring	42	174219	Feed Drive Shaft Bushing (left)	66	141818-869	Feed Regulator Set Screw
21	381806	Feed Bar Connection with 151576 and 172947	43	174232	Rotating Hook Drive Shaft Bushing (left)	67	511030	Feed Regulator Slide Block
22	163562	Feed Bar Connection and Feed Lifting Fork Connection Hinge Stud (eccentric) Retaining Ring	44	141772-869	Feed Drive Shaft Driving Gear (helical, plastic) Set Screw	68	181956	Feed Regulator with 141818-869
			45	174488	Feed Drive Shaft Driving Gear (helical, plastic) with 141772-869	69	174222	Feed Regulator Shaft
			46	174231	Rotating Hook Drive Shaft	70	174223	Feed Regulator Shaft Bushing (right)
						71	141814-830	Feed Regulator Shaft Bushing (right) Set Screw

For the Library of the Apollo Program

Electrical Parts—Machines Nos. 734E/774E

619375-001 PA 30-8 Less Pinion
 619375-002 PA 30-8 With Pinion



Electrical Parts-Machines Nos. 734E/774E

REF. NO.	PART NO.	DESCRIPTION
1	618804-003	Resistance Unit complete
2	618612-001	Resistance Unit Clamp
3	618634-002	Resistance Unit Clamp Screw
4	618718-001	Actuating Spring Push-on Fastener
5	619494-001	Controller Complete, Single Pole
6	619388-001	Cord Harness complete for 619494-001
7	618824-001	Fastening Screw and Washer
8	618609-001	Actuating Spring
9	618608-001	Contact Spacer (top)
10	618823-001	Contact Spring
11	618822-001	Contact Spacer (bottom)
12	618634-002	Shorting Strap Screw
13	618815-001	Shorting Strap
14	618821-001	Shorting Spring
15	618542-001	Pedal Return Spring (2)
16	618813-001	Strain Relief Clip
17	619493-001	Pedal and Base Assembly
18	603832-001	Heat Shield
19	619491-001	Pedal Base Foot (4)
20	197790-010	Security Screw Spacer
21	701511-018	Security Screw Washer
22	618634-003	Security Screw for 619494-001

REF. NO.	PART NO.	DESCRIPTION
23	619492-001	Pedal Base Snap-on Plug
24	603758-001	Pedal and Base Retaining Screw
25	619179-001	Pedal Retaining Cup
26	619442-001	Light Shield
27	354434-451	Light Shield Screw
28	777910-001	Light Lamp
29	619387-001	Light Bracket Spring
30	619407-003	Light Bracket Spring Screw
31	619386-002	Light with Switch and Harness (less lamp)
32	354434-451	Light Harness Switch Screw (2)
33	619338-001	Light and Power Switch Enclosure
34	197782-001	Armature Shaft Pinion with Screw
35	141772	Armature Shaft Pinion Set Screw
36	619112-001	Armature Shaft Bearing Retainer Ring (pinion end)
37	619160-001	Armature Shaft Bearing (internal) Retainer Ring
38	619111-001	Armature Shaft Bearing Retainer Spring (pinion end)
39	619110-001	Armature Shaft Bearing Retainer (pinion end)
40	92993-001	Armature Shaft Bearing (pinion end)

REF. NO.	PART NO.	DESCRIPTION
41	140894-001	Housing (pinion end) Fastening Screw (2)
42	619321-002	Housing (pinion end)
43	618721-002	Spacer
44	619382-001	Armature complete
45	619327-002	Field Core (wound) complete
46	197790-008	Brush Holder Spacing Bushing (2)
47	619324-001	Brush Holder with tubes
48	706404-019	Brush Holder Nut (2)
49	195541-001	Housing Bearing Retainer (commutator end)
50	195540-002	Housing Bearing (commutator end)
51	618631-001	Thrust Screw Nut
52	619320-006	Housing (commutator end)
53	603801-001	Motor Receptacle Cover
54	619329-001	Motors Hold Down Plate
55	619407-002	Motors Hold Down Plate Screw
56	507165	Rubber Ring
57	618630-001	Thrust Screw
58	51796-002	Housing (commutator end) Fastening Nut (2)
59	772915-004	Brush with Spring (2)
60	172553	Driving Sleeve

From the library of: Diagnostics and Repair